



WORLD LEADERS IN CHEMICAL SANITATION

# VISA potty

## OWNERS OPERATING LEAFLET

### ALWAYS USE

#### ELSAN BLUE SANITARY FLUID

ELSAN BLUE Sanitary Fluid provides completely odourless and hygienic sanitation. Specially formulated for use in the ELSAN range, it is also highly recommended for all leading makes of portable chemical toilets, rendering human waste matter harmless, and at the same time ensuring a perfectly clean toilet — always.

#### ELSAN R.V.C. BOWL CLEANER

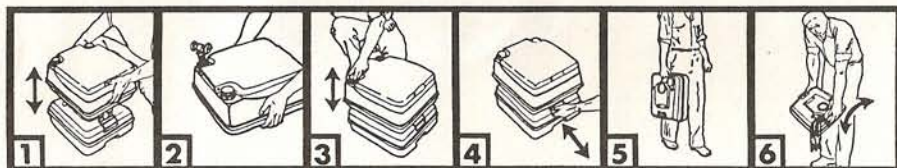
Specially formulated for safe and effective cleaning of your ELSAN VISA. R.V.C. bowl cleaner is equally efficient for cleaning ELSAN and other plastic or ceramic toilets. Supplied in handy 1 Litre bottle. (33.8 oz.) squeeze bottle.

R 2000-21EL

## IMPORTANT.

1. This product has been water tested. Some residual water may be found in the system and tanks.
2. The slide valve to the base of the unit should always be operated horizontally. Excessive vertical or lateral pressure will distort or even break the handle, shaft or mechanism.
3. Changes in altitude while travelling can cause pressure build up in sealed holding tanks. Before use always check by opening flush valve to base unit gently with toilet lid closed.

Your system is a fresh-water flush portable toilet. The detachable refillable fresh-water supply tank forms the top bowl section. Waste is collected and sealed in the unit's detachable waste holding tank which is the bottom section. Wastes can be emptied into any permanent toilet. The ELSAN BLUE or ELSAN BLUE CONCENTRATE TOILET CHEMICAL deodorizer controls odors in the holding tank.



## OPERATING INSTRUCTIONS

Before using the unit, please read these operating instructions. Be sure to thread the holding tank cap contained in the plastic bag with this manual on to the disposal outlet.

**1. How to Separate the Water Tank and Holding Tank Sections** - Pull out slightly on the spring lock clip or clips located either on the back of the bowl section or the two sides and lift up vertically at the same time. To reassemble the two sections, align the recesses in bottom surface of the bowl section with the locating pins on the top surface of the holding tank and press down gently on the top of the toilet until the spring clips engage.

**2. How to Fill Fresh Water Supply Tank** - Remove the water fill cap located at the top right-hand corner by grasping the edge of the cap and pulling up. Add water to the maximum fill level indicated on the back of the water tank just below the fill spout. (DO NOT OVERFILL)

**3. Operating the Water Pump** - To add water to the bowl prior to use, operate the pump in an up and down stroking motion.

**4. Flushing** - To flush after use open the flush valve by pulling the handle located at the front of the toilet straight out. Push the handle back in all the way to close the valve. When the valve is closed the holding tank is sealed. It is not necessary to have water in the bowl after it has been flushed but water should be added before use to ensure a proper flush. It is also useful to operate the pump when flushing in order to rinse the bowl.

● **To Add Chemical Deodorizer** - NEVER ADD CHEMICAL TO THE WATER TANK. Be sure flush valve is FULLY OPEN before pouring chemical into the waste holding tank. Read the directions on the package for the proper amount to use. Open the flush valve fully as instructed in (4) above. Pour chemical through the bowl opening into the waste holding tank. Pump sufficient water through the bowl to cover the bottom surface of the holding tank. Close the flush valve and agitate the toilet to thoroughly mix the water and chemical.

● **Sight Window Level Indicator(s)** - All models have a waste level indicator located on the front left-hand side of the lower holding tank. As the tank becomes full a dark indicator line will appear in the centre of the window. When the line reaches the top, this is an indication that the tank should be emptied. On some models, there is a similar window on the upper tank to gauge the level of fresh water.

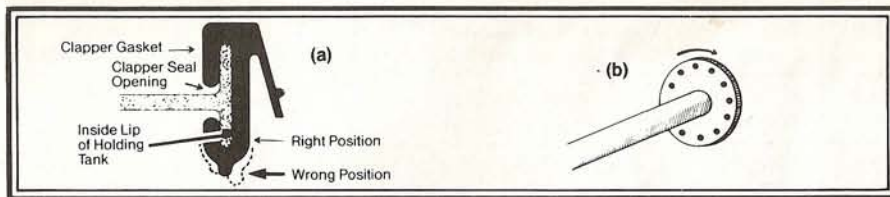
**5. How to Empty the Waste Holding Tank** - When the waste level indicator shows that the tank is ready to be emptied, separate the holding tank as described in (1). Carry the tank to any permanent toilet waste disposal facility or Elsan disposal point.

6. With the tank in a flat horizontal position, remove the holding tank cap from the waste disposal outlet. Pull up on the air vent valve (red cap) located on the top front left-hand corner of the tank. This will permit air flow through the tank for a smooth discharge of the tank contents while emptying. Carefully empty the tank as shown. After emptying the tank, rinse with fresh water, replace the cap on the emptying outlet and push down on the air vent valve to close. Reassemble and recharge the unit as described previously.

● **Cautions** - Changes in altitude while travelling, or other conditions may cause pressure build-up in the waste holding tank. Before use, always check for pressure build-up by first opening and closing the flush valve with the lid and seat in the closed position. Never add chemical to the water supply. When adding chemical to the waste holding tank first open the flush valve fully. Never add chemical into the bowl and then flush into the holding tank.

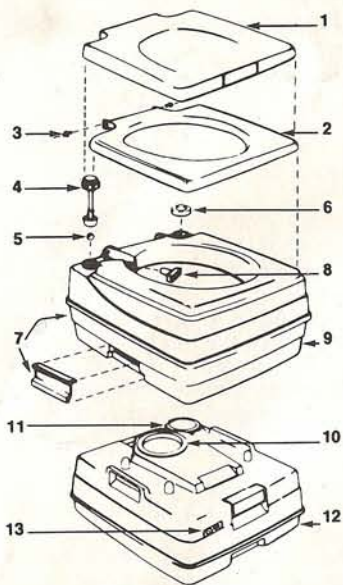
● **Cleaning and Maintenance** - To clean the unit use ELSAN RVC Bowl Cleaner or other non-abrasive cleaner specially formulated for use on plastic or neoprene rubber materials. Other members of the ELSAN family of toilet accessories include: deodorizers in liquid or concentrate form.

Periodically apply petroleum jelly to the surface of the flush valve rubber gasket seal and flush valve shaft. If operation becomes stiff contact the Elsan Technical Department. Do not use force. For very cold weather use add a NON-TOXIC anti-freeze to the fresh water supply tank. To prepare for storage, empty the water tank (including pump chamber) and holding tank. Rinse out holding tank using one cup of bleach (5% solution) per 5 litres (1 gallon) of water.



**To Replace Rubber Gasket Seal.** If the bowl does not hold water or there is leakage from the waste holding tank through the flush valve, first check to see if there is some impediment on the outer or inner sealing surfaces of the gasket that needs to be removed. If not, the gasket should be replaced. When replaced, ensure that the gasket is in the proper position inside the holding tank with the sealing surface vertical as shown in diagram A.

**To Prevent Leakage Out Flush Valve Shaft.** First pull out the flush valve handle to expose the plastic ring at the front of the bottom tank. Adjust the tightness of the valve shaft "O" ring seal until leakage stops by using long-nose pliers and turning the plastic ring **CLOCKWISE** as shown in diagram B. If leakage persists the holding tank should be returned for inspection and repair, or possible replacement.



1. Lid Cover
2. Seat
3. Lid and Seat Pins
4. Pump Assembly
5. Check Valve
6. Water Fill Cap
7. Spring Lock Clip(s)
8. Water Nozzle
9. Fresh Water Tank Section
10. Flush Valve Gasket Seal
11. Holding Tank Cap
12. Waste Holding Tank
13. Sight Window Level Indicator

**When requesting replacement parts:** Give (1) the **Brand Name** and **Model No.** as shown on the product; (2) the **Part Name** as shown above; (3) the **Colour** of the part requested.

MODEL NO.	SHIPPING WEIGHT	DIMENSIONS	CAPACITY	
			WATER TANK	HOLDING TANK
238	3.7 kg. 8.25 lbs.	32 cm H x 37 cm D x 35 cm W 12 - 3/8" H x 14 - 1/2" D x 13 - 1/2" W	10 litres 2.2 U.K. gallons	10 litres 2.2 U.K. gallons
248	4.7 kg. 10.4 Lbs.	34 cm H x 42 cm D x 37 cm W 13 - 3/8" H x 16 - 1/2" D x 14 - 1/2" W	14 litres 3.1 U.K. gallons	15 litres 3.3 U.K. gallons
268	5.1 kg. 11.2 lbs.	40.8 cm H x 42 cm D x 37 cm W 16 - 1/8" H x 16 - 1/2" D x 14 - 1/2" W	14 litres 3.1 U.K. gallons	24 litres 5.3 U.K. gallons

**ELSAN LTD.**  
 BUXTED, UCKFIELD, SUSSEX  
 TN22 4LW — 0825-813291